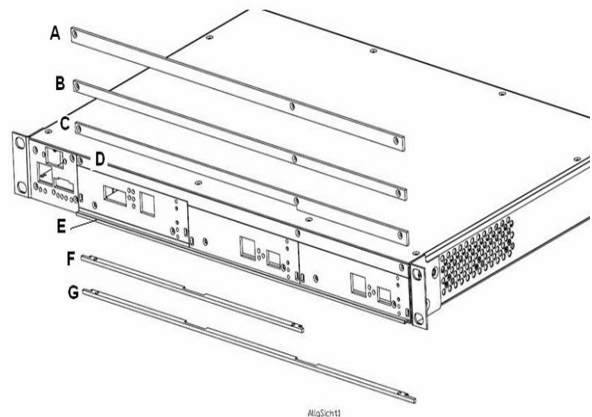


User Information for SRX3

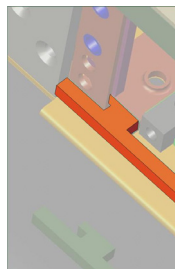
Supplement of the Quick Installation Guide

This instruction is for the quick configuration of the **Front Side**. For detailed information please read the manual.

Adaptation of Front: The front of SRX3 can be adopted by 7 small strips of metal (**A-G**), which are part of the delivery. There are top and bottom strips, which must be used together for proper adaptation: **{A}**, **{B + G}**, **{C + F}** and **{D + E}**.



The strips, designed for top (**A- D**) are fixed with three small screws, while the bottom-strips (**E- G**) are clipped into the front. To lock the bottom-strips, always insert them on the left side first (marked with red dot!), then insert it diagonal and finally fix the right end.



See below the 4 possible combinations of top and bottom strips and the possible combination of cards (1st line is the preconfigured):

2x ax-Standard
+ 1x EDX100:
{D + E}



3x ax-Standard LC:
{A}



1x ax-Standard
+ 2x EDX100:
{C + F}



3x EDX100:
{B + G}

